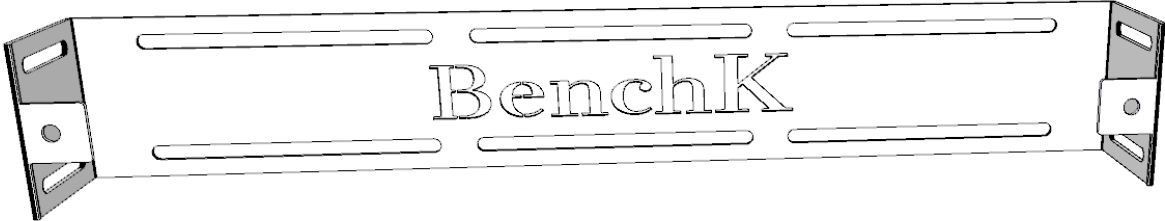


*“Do not throw away before assembly”*

# BenchK<sup>®</sup>

lift yourself

## BenchK WHB/WHW



+

BenchK 200



A

BenchK 700



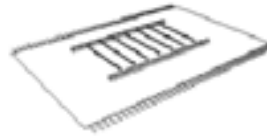
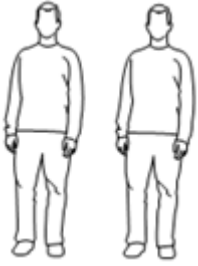
B






BenchK 521



C

Design by Vadim Zemlianyi  Made in Poland



No	Item	Warehouse Operative	Quantity
<b>1</b>			<b>2</b>
<b>2</b>		M10 x 70	<b>4</b>
<b>3</b>		M10	<b>4</b>
<b>4</b>			<b>2</b>
<b>5</b>		M10	<b>1</b>

Screws:	
Package:	

EN

**Safety instruction**

- Simultaneously, only one person can do exercises on the BenchK wall bars.
- Before each workout, you need to check the technical condition of the BenchK wall bars- fixators and other components of the wall bars.
- Children and adolescents under the age of 14 years should use the wall bars only under the supervision of an adult.
- Care issues - clean with dry cloth.
- In case of dismantling the wall bars, it should be stored in a dry place with low humidity.
- You should avoid excessive exercising to prevent the exhaustion. The intensity and level of difficulty of exercises should be chosen depending on the health status and the physical form of the exercising person.
- The appropriate screw type for installation should be selected depending on the type of wall. You must ensure that the wall bracket has been properly mounted. The entire responsibility for assembly rests with the customer

**Manufacturer's warranty**

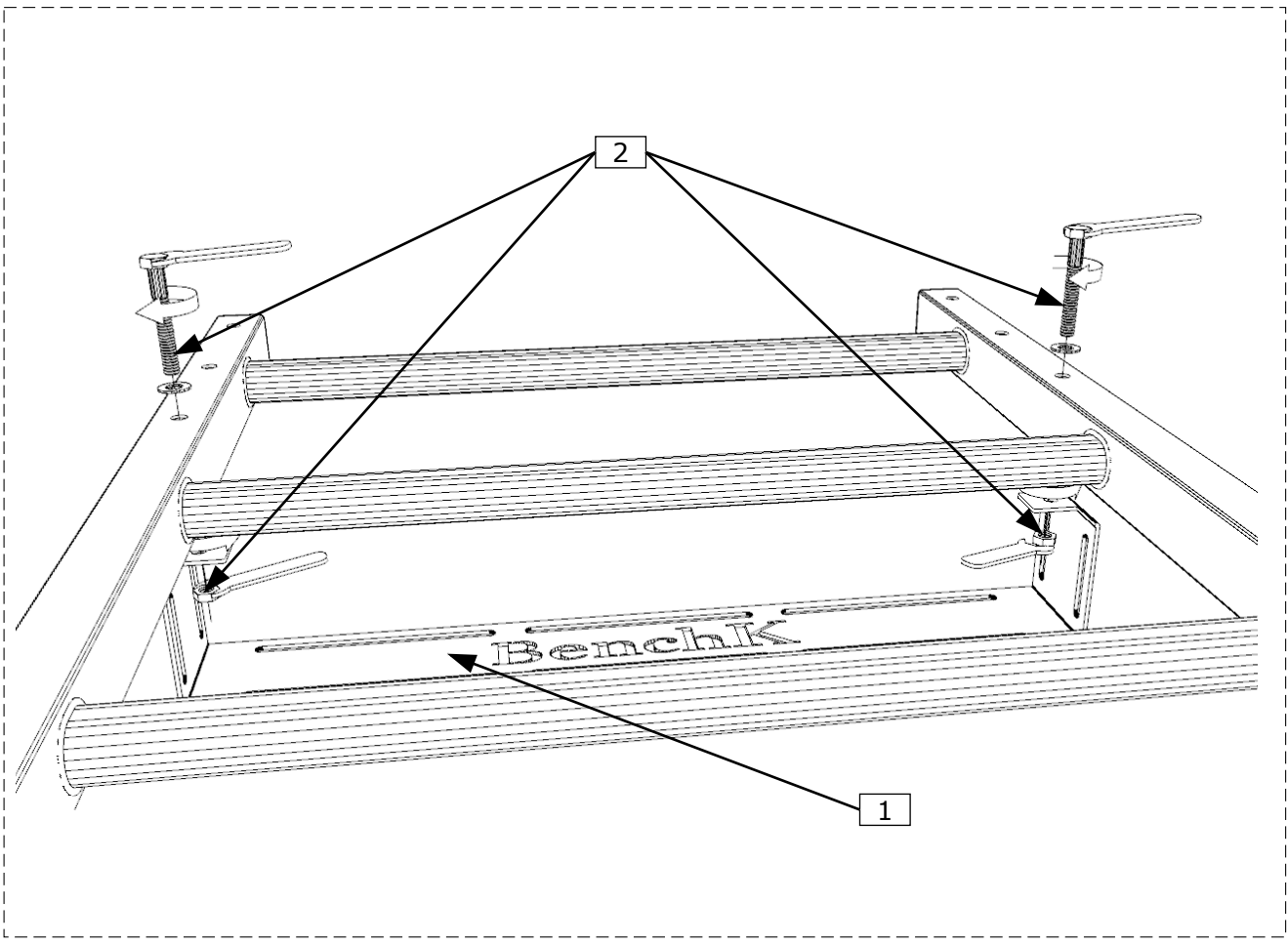
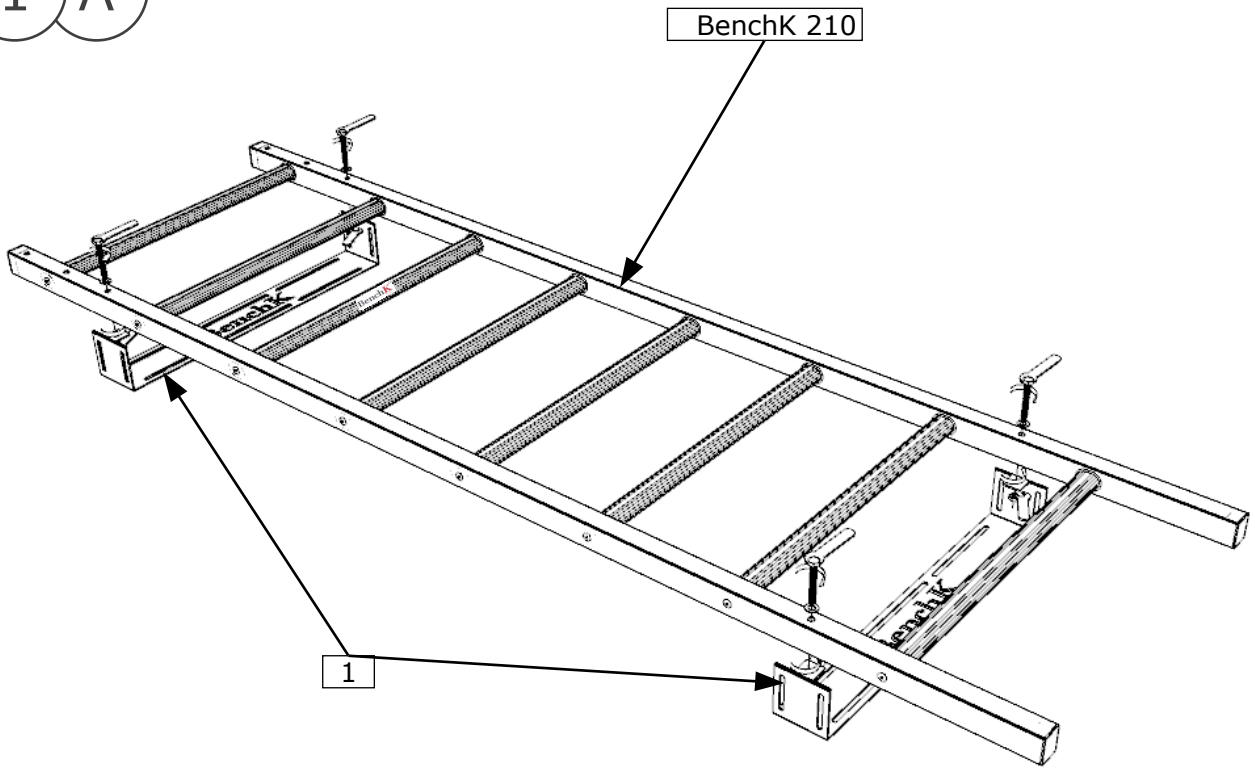
- The manufacturer guarantees the preservation of all quality indicators to the Buyer during 24 months from the date of purchase and a 10 year warranty on all metal elements of the wall bars, under the condition of abiding the rules of mounting and exploitation.
- In the case of mechanical damage that may occur during transportation, mounting or exploitation of the wall bars by the Buyer, the Manufacturer is not responsible.
- In the case of defect or low quality of items that occurred not by the fault of a Buyer, the buyer should contact the Department of customer service of BenchK (biuro@benchk.com).

Attention Because of continuous work dedicated to modernizing the BenchK wall bars possible are small changes in the construction of the wall bars, which, however, do not lead to the reduction of quality.

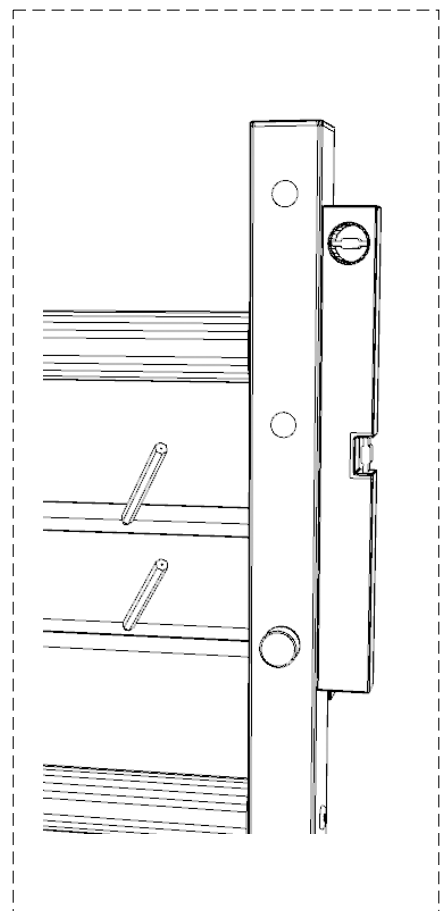
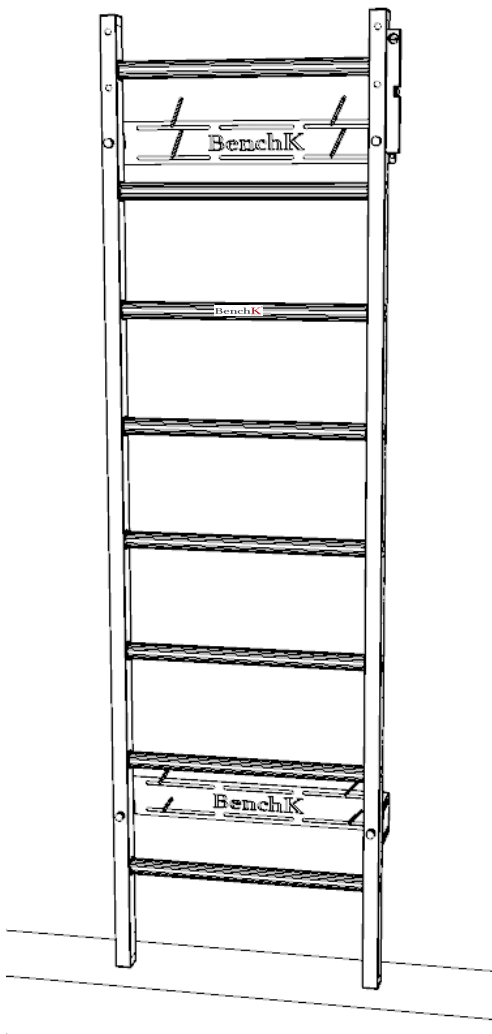
**The product meets the security requirements contained in PN - EN 12346:2001, PN-EN 913:2019-03**

Manufacturer: Benchmark LTD NIP: 8133702082, REGON: 360978103 35-103 Rzeszów, Hanasiewicza 15 +48 536 560 089 www.benchk.us  
 Distributor: BenchK LLC 1013 Ohio Ave, Palm Harbor Florida 34683 EIN: 36-5017984 USA +1 833 998 7727 www.benchk.us.

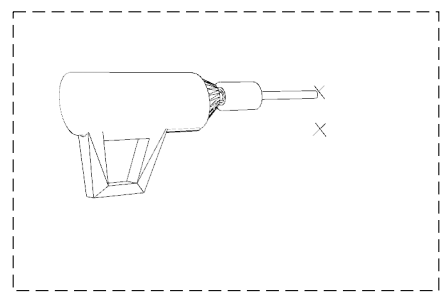
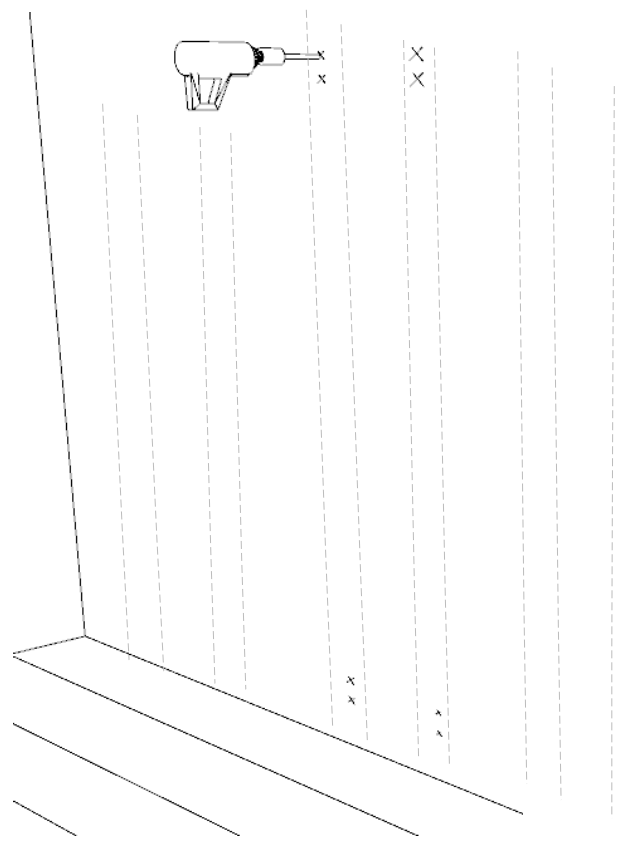
1 A



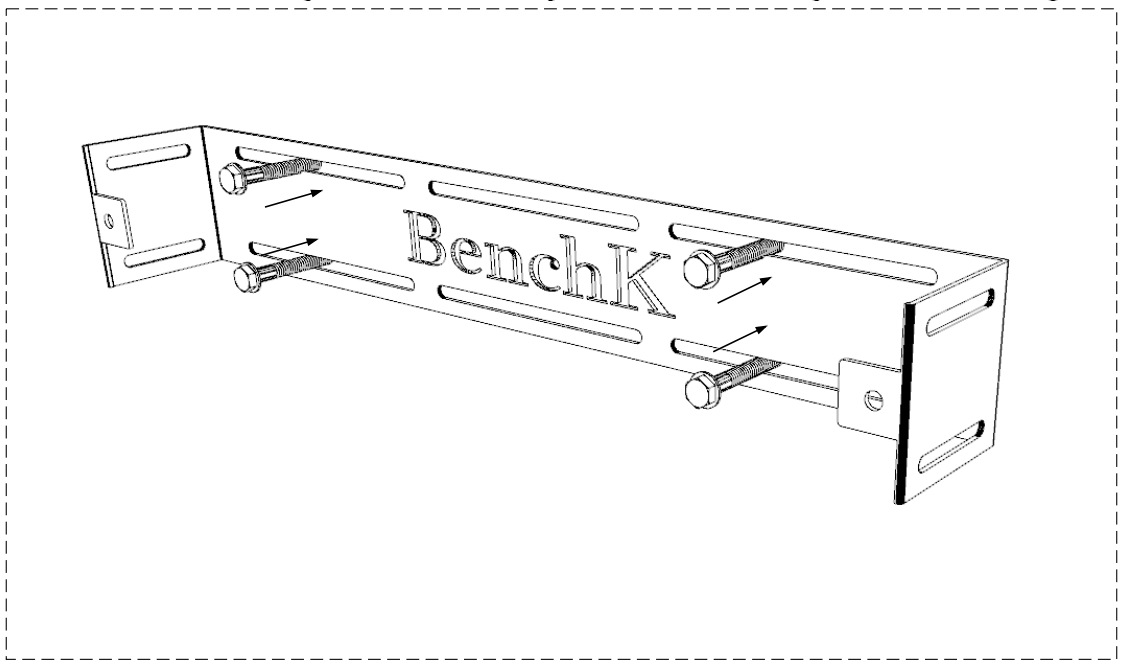
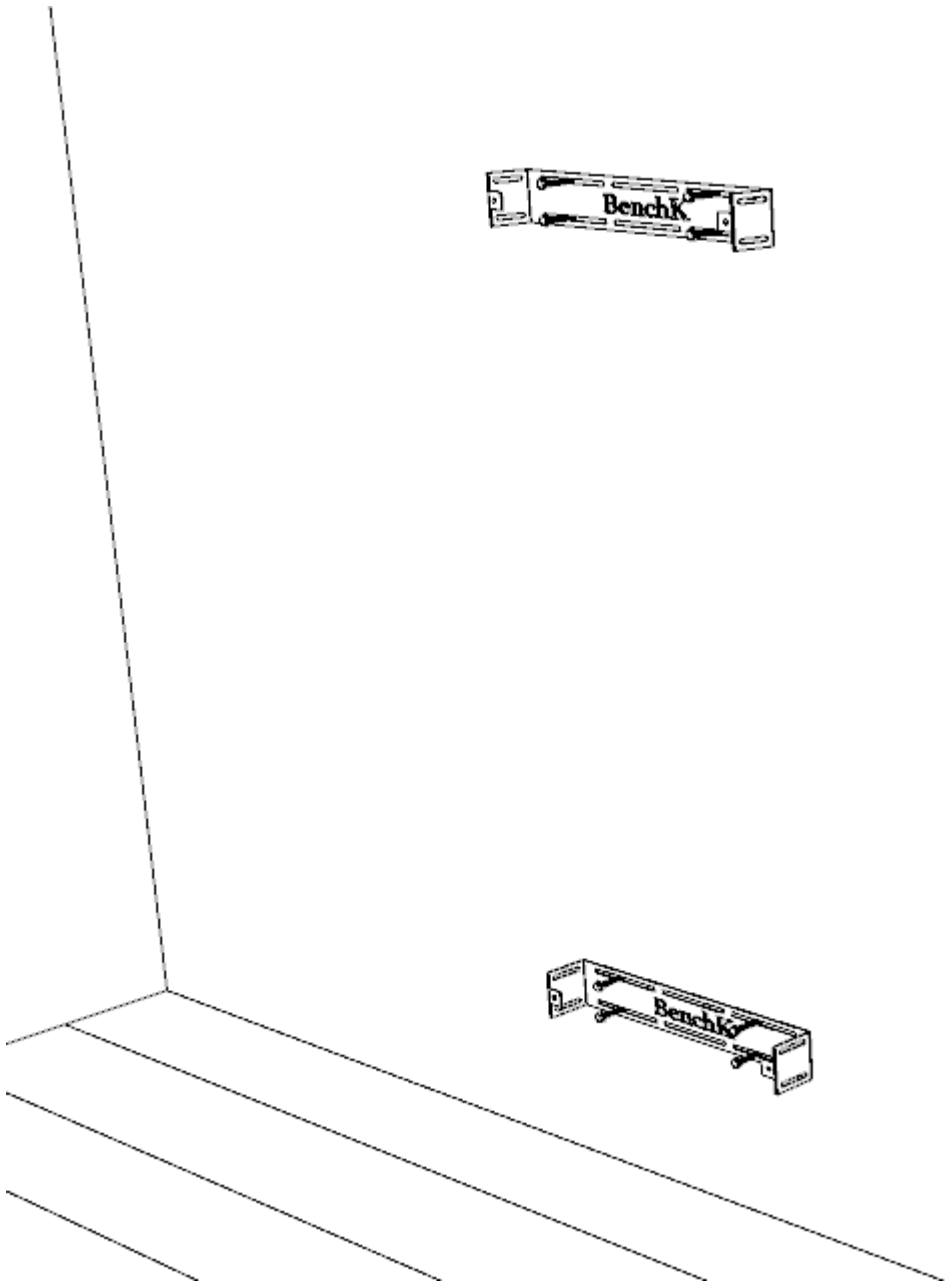
2 A



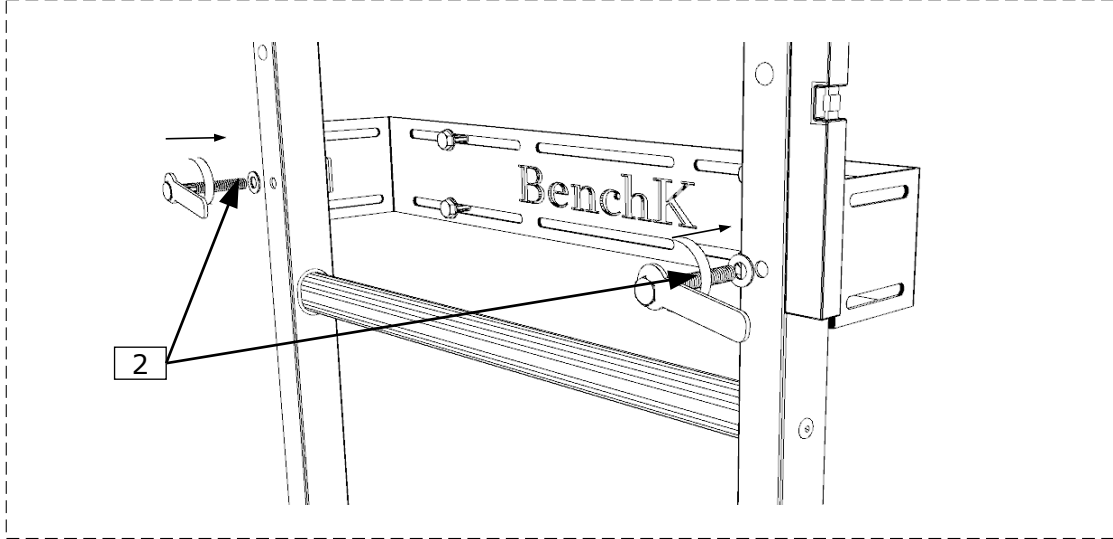
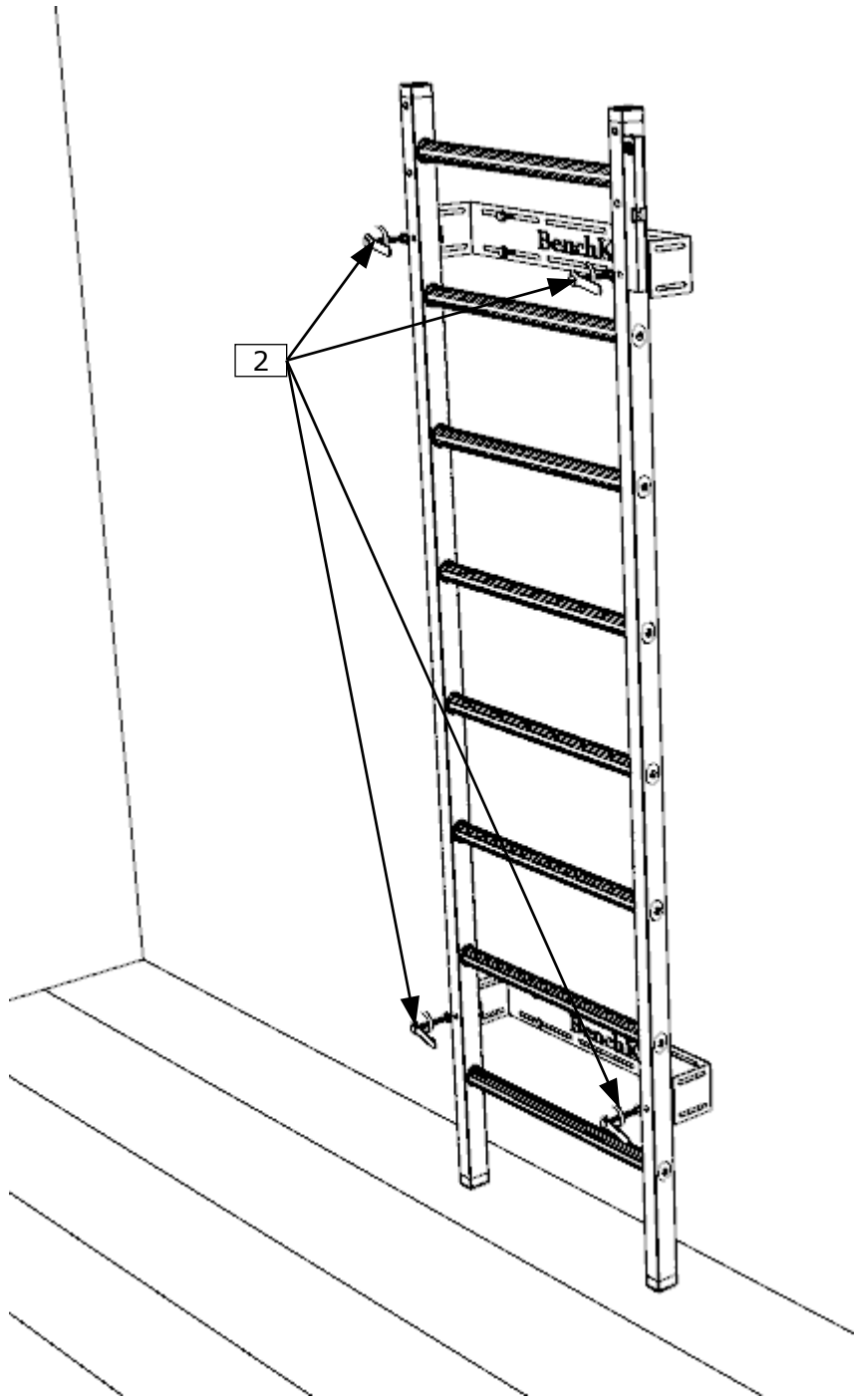
3 A



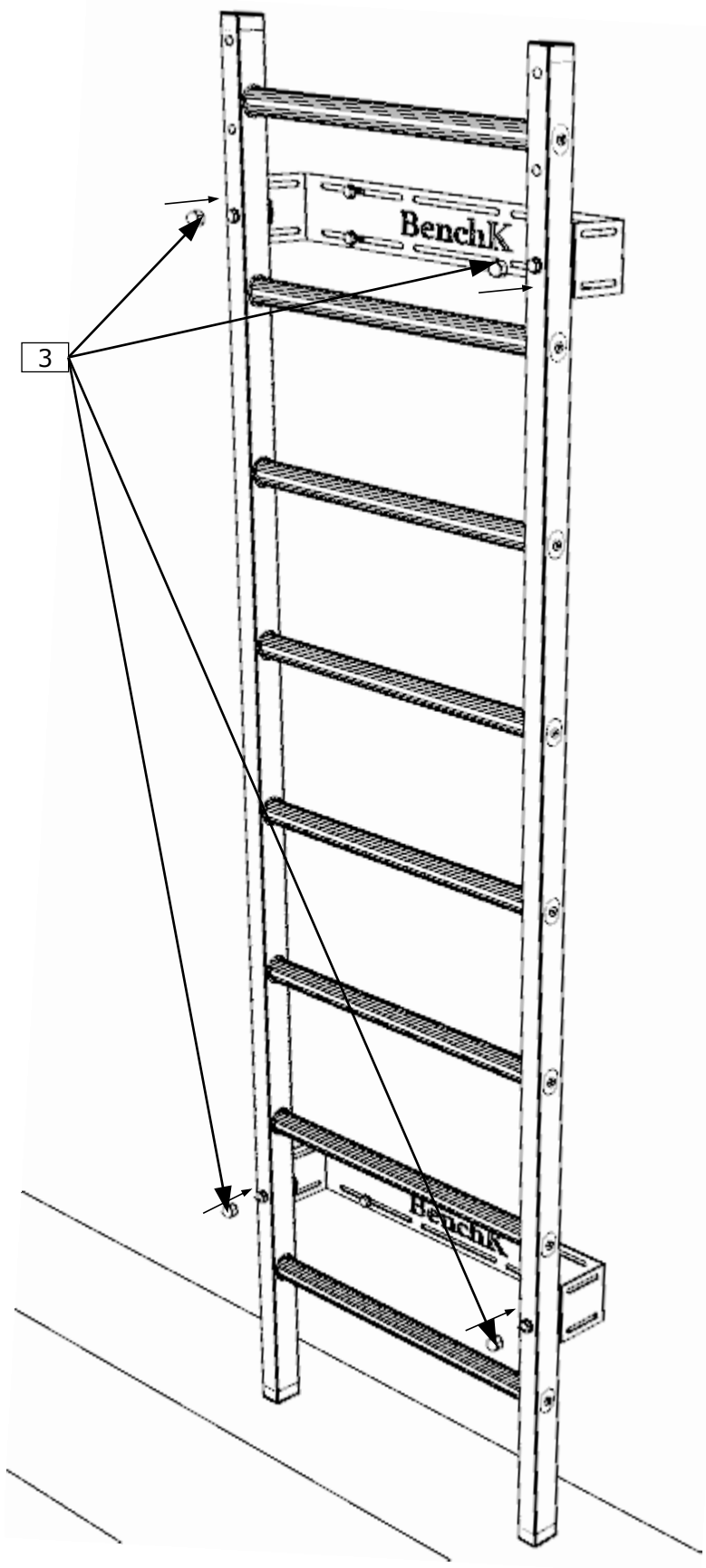
4 A



5 A

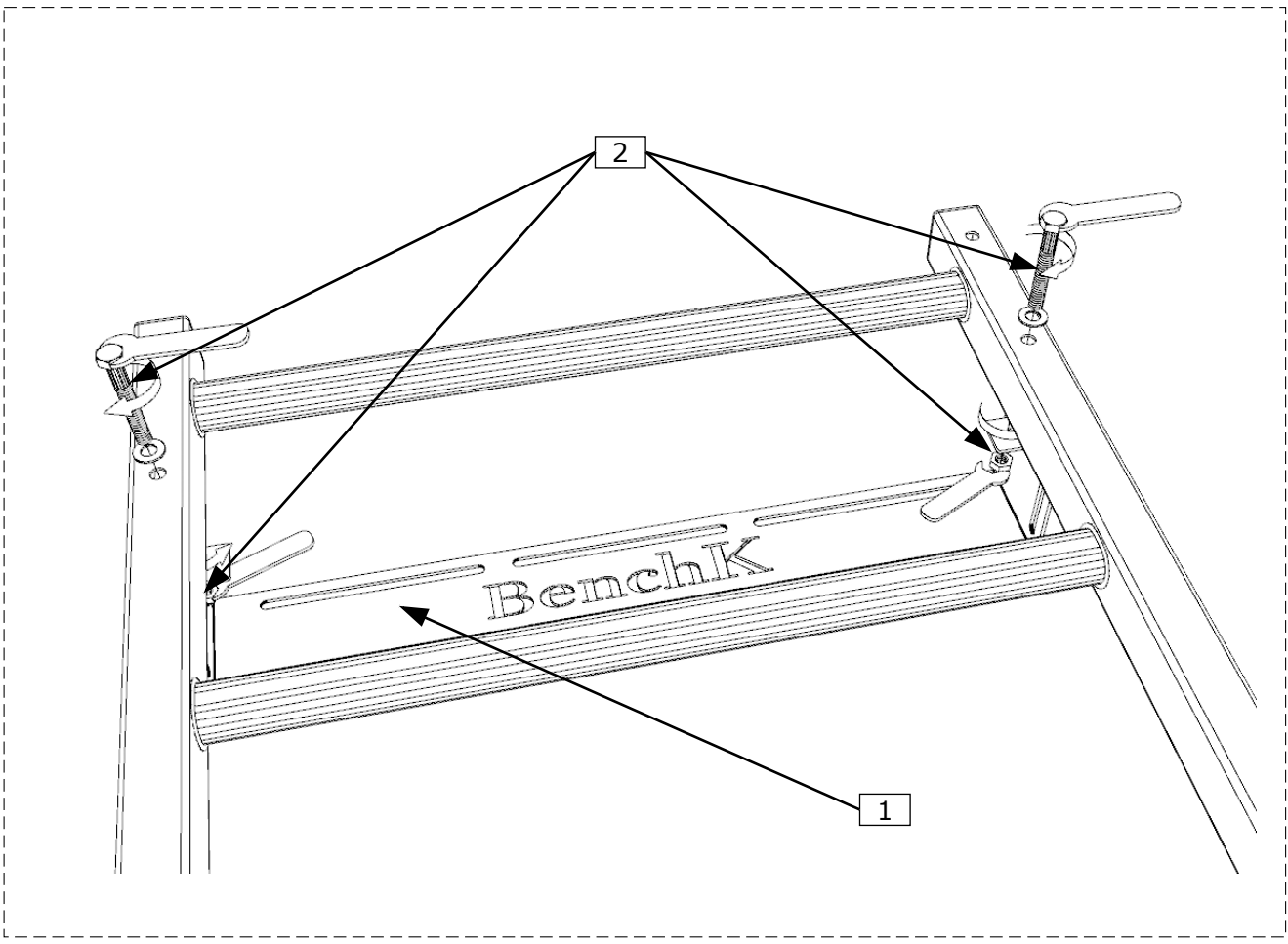
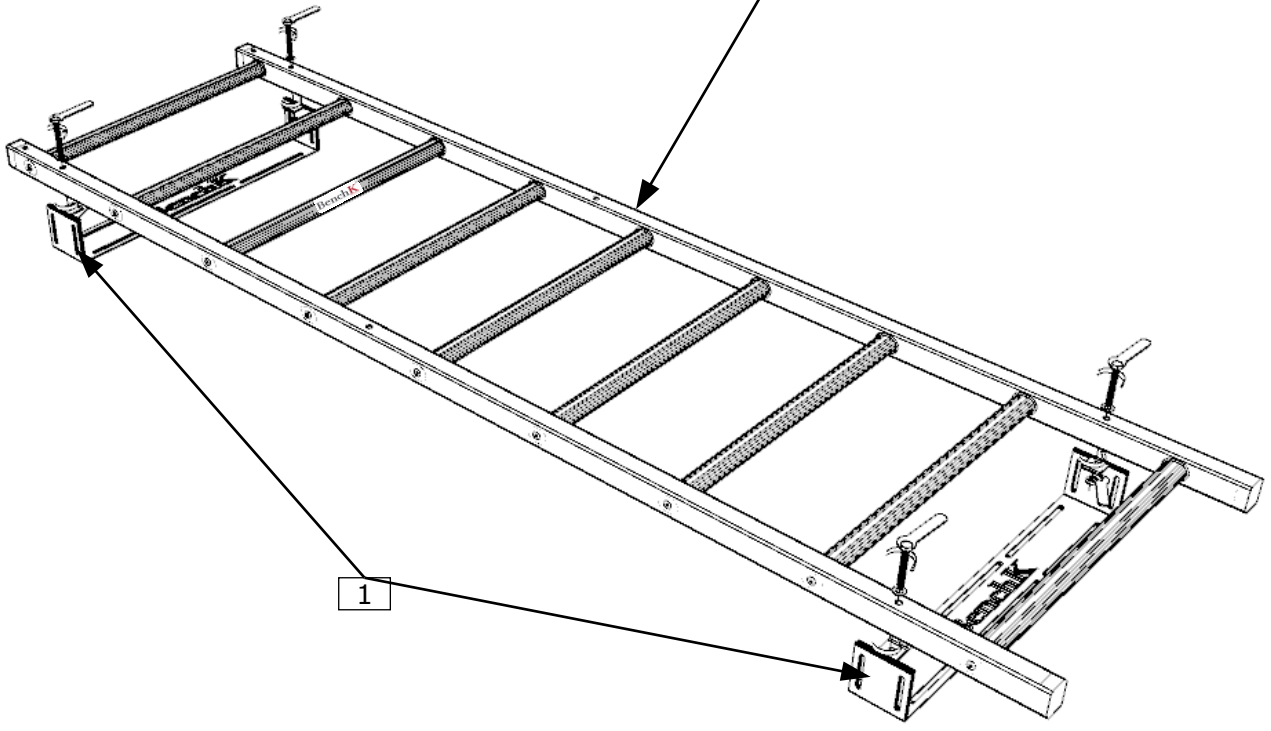


6 A



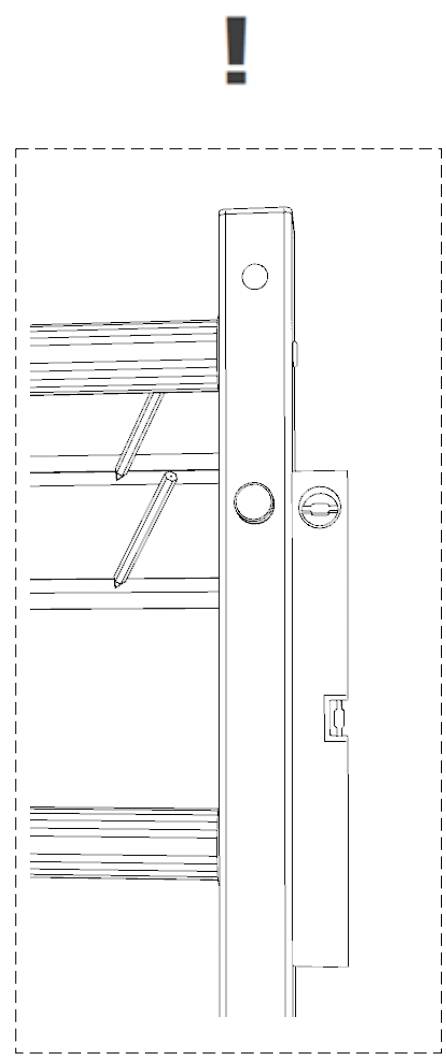
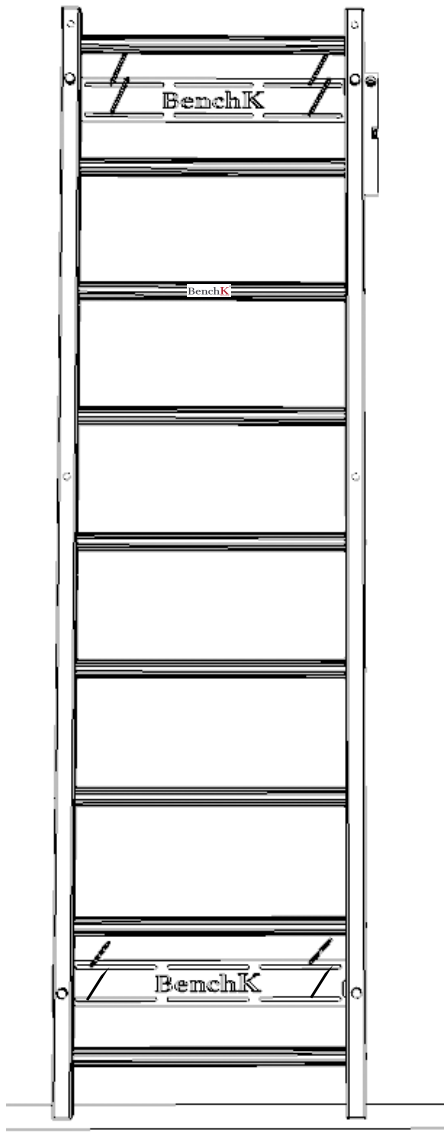
1 B

BenchK 310/710

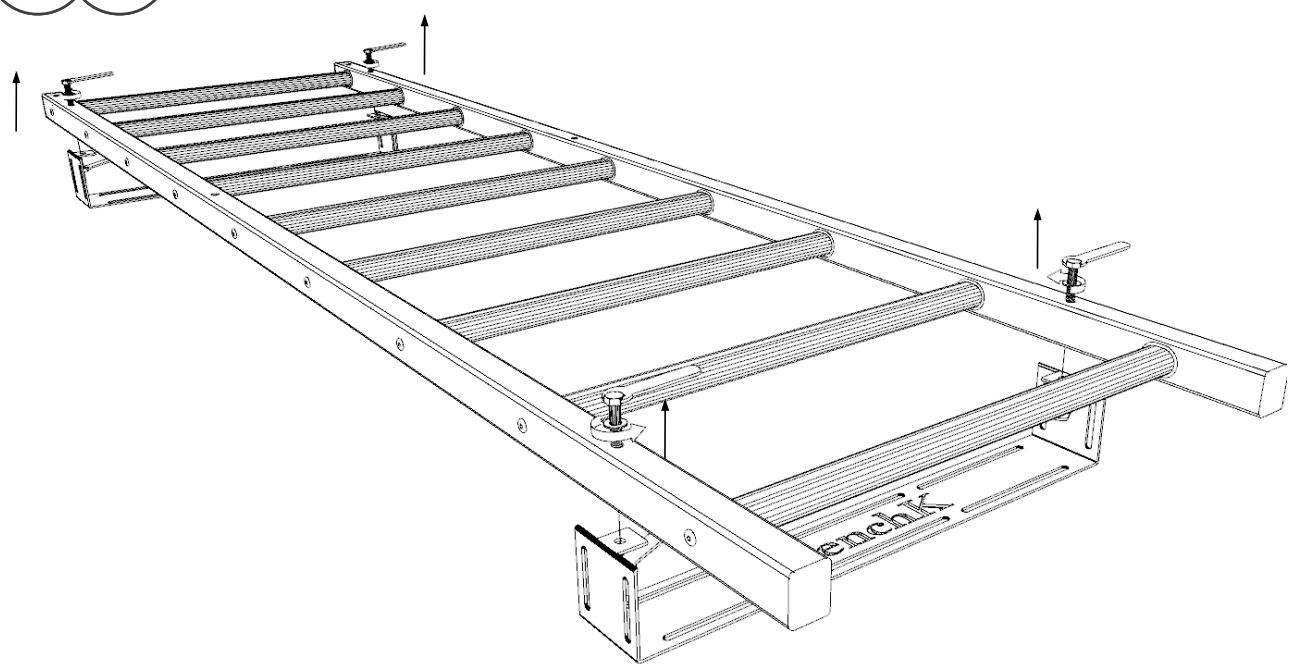




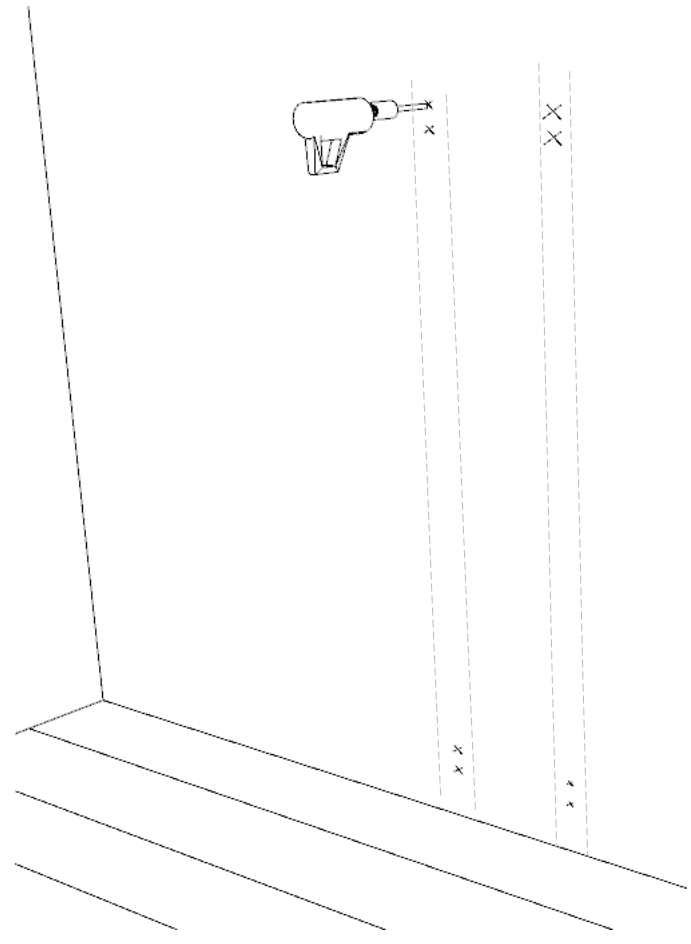
2 B



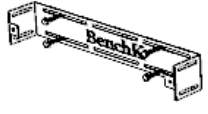
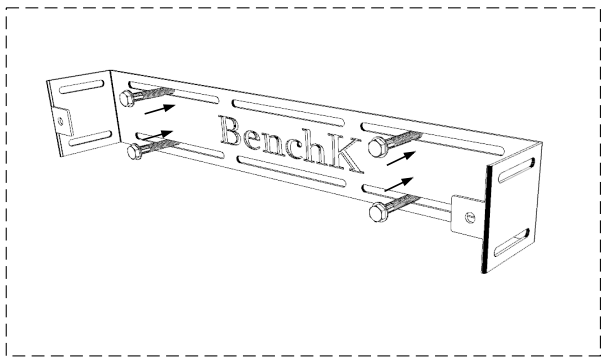
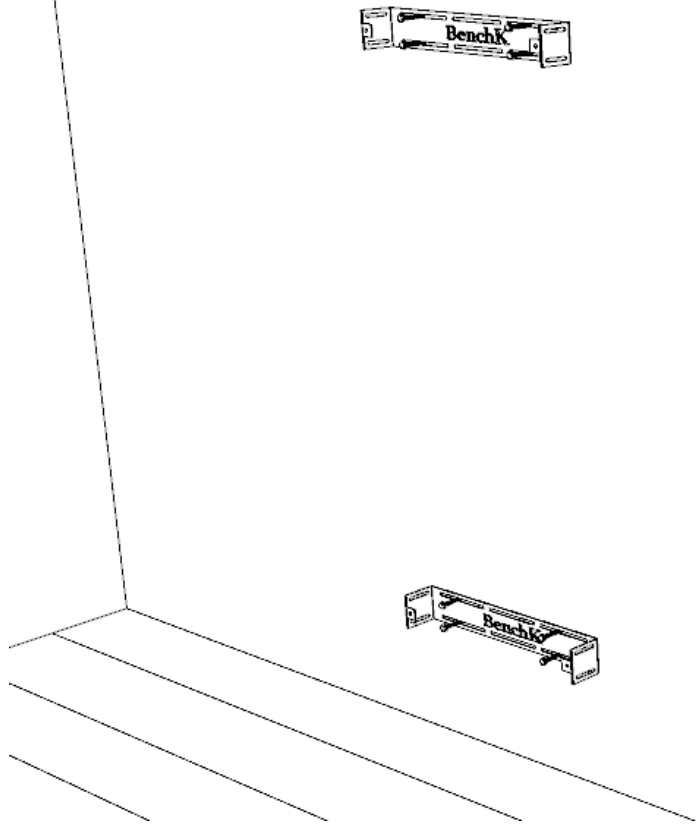
3 B



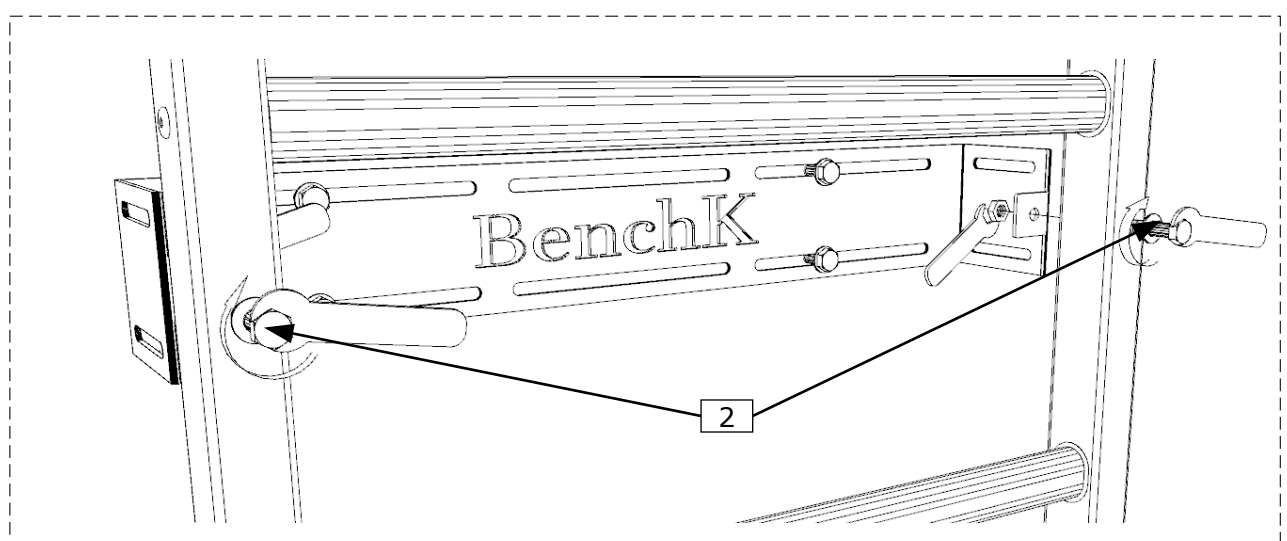
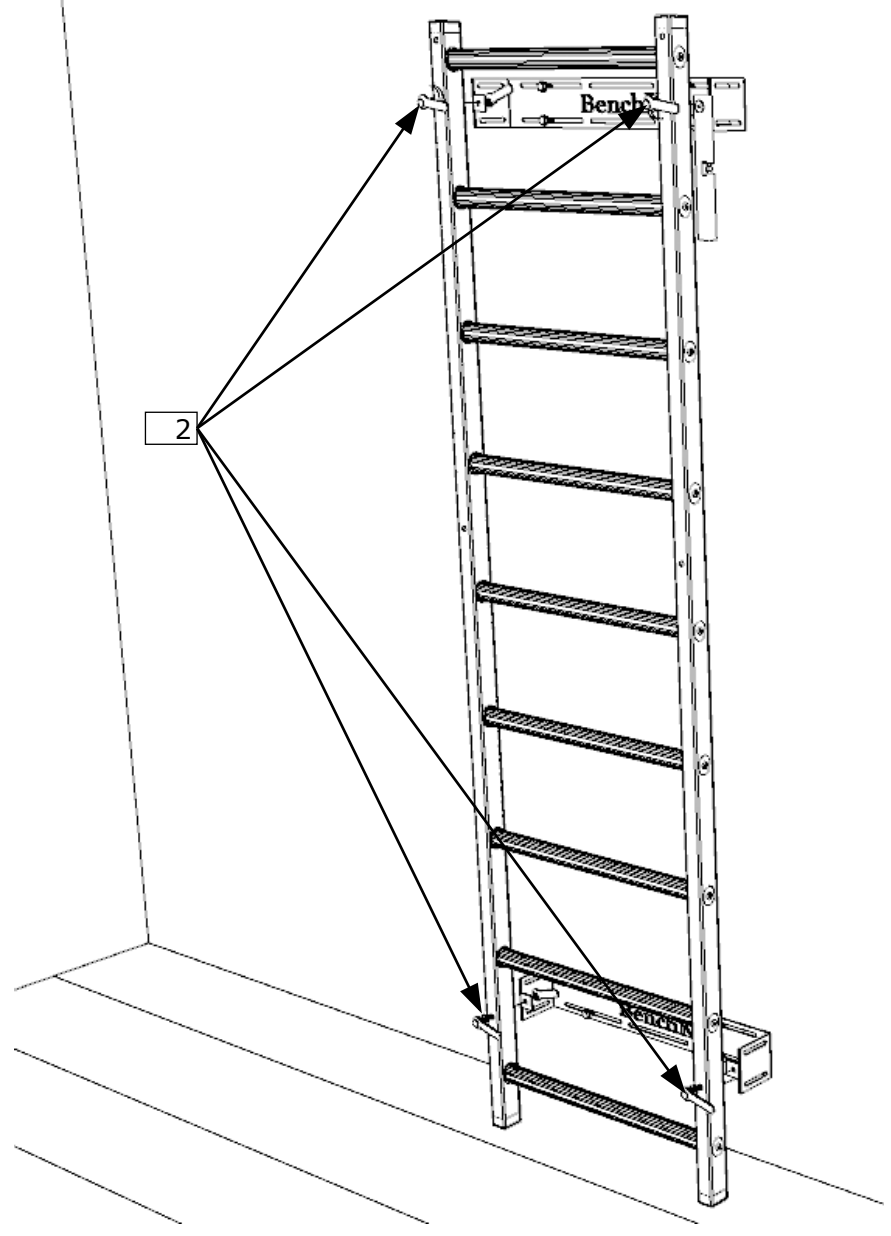
4 B



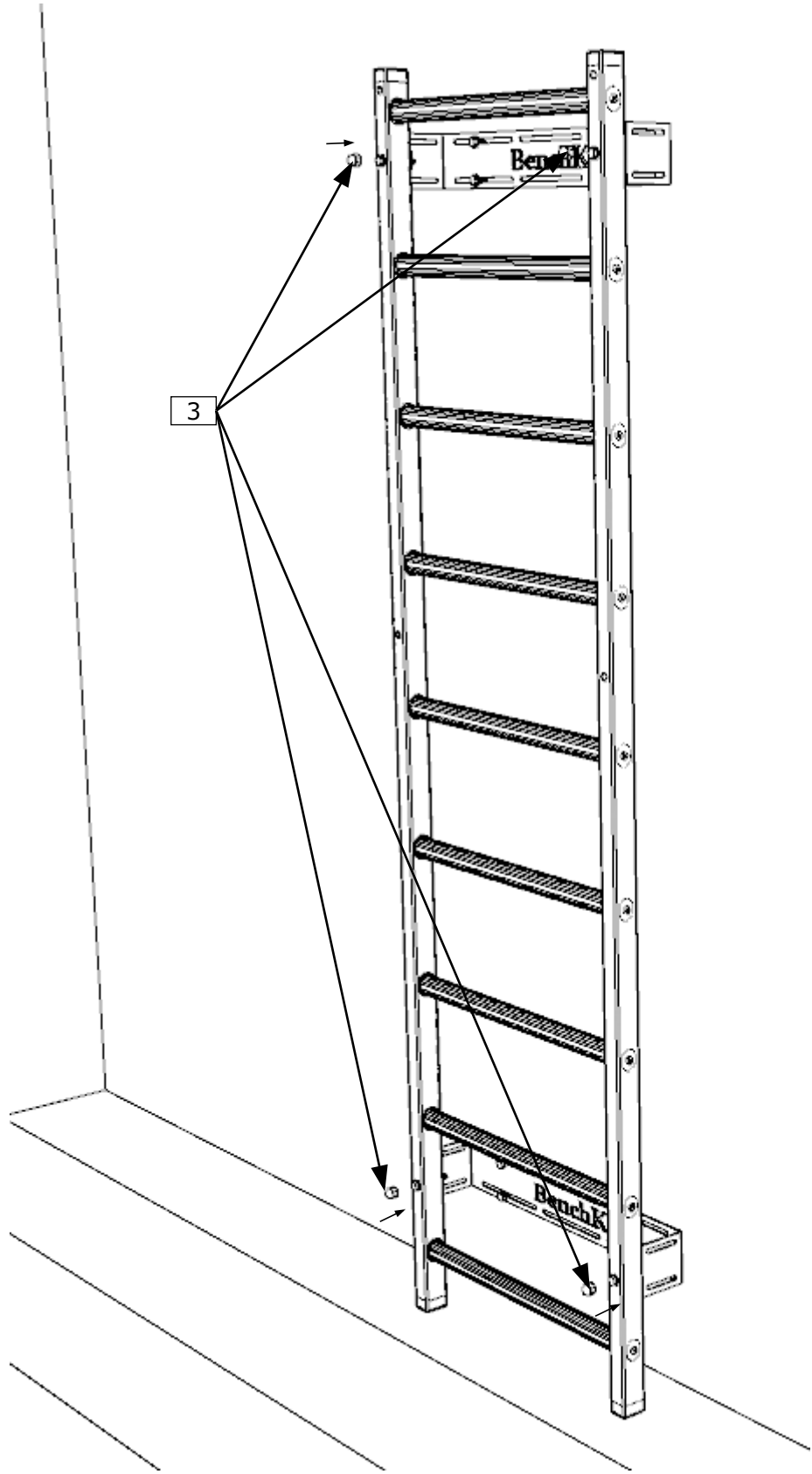
5 B



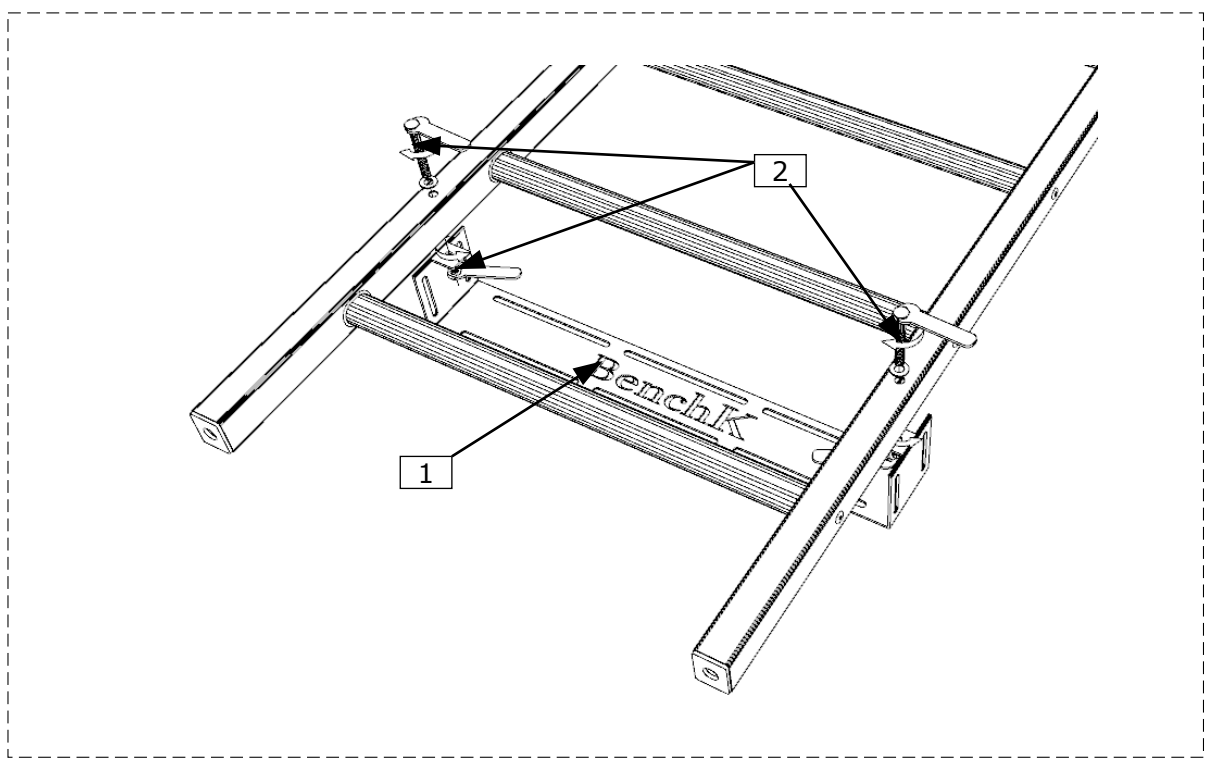
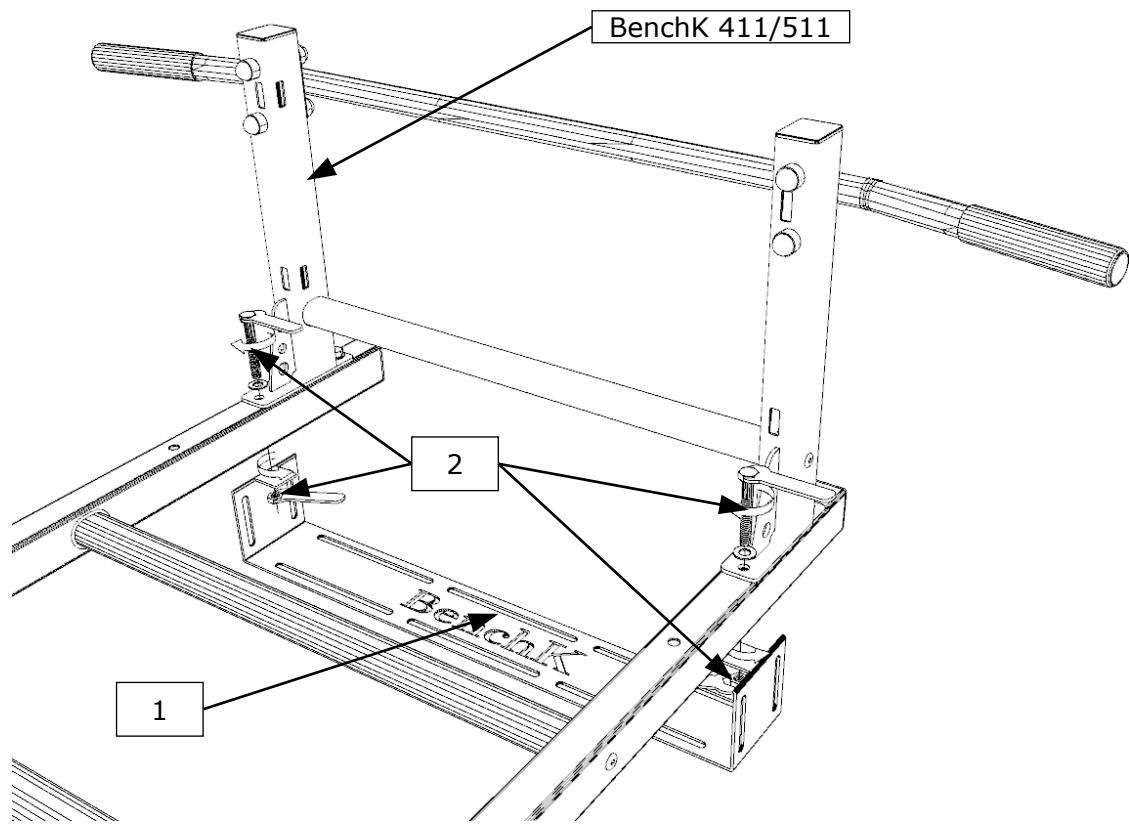
6 B



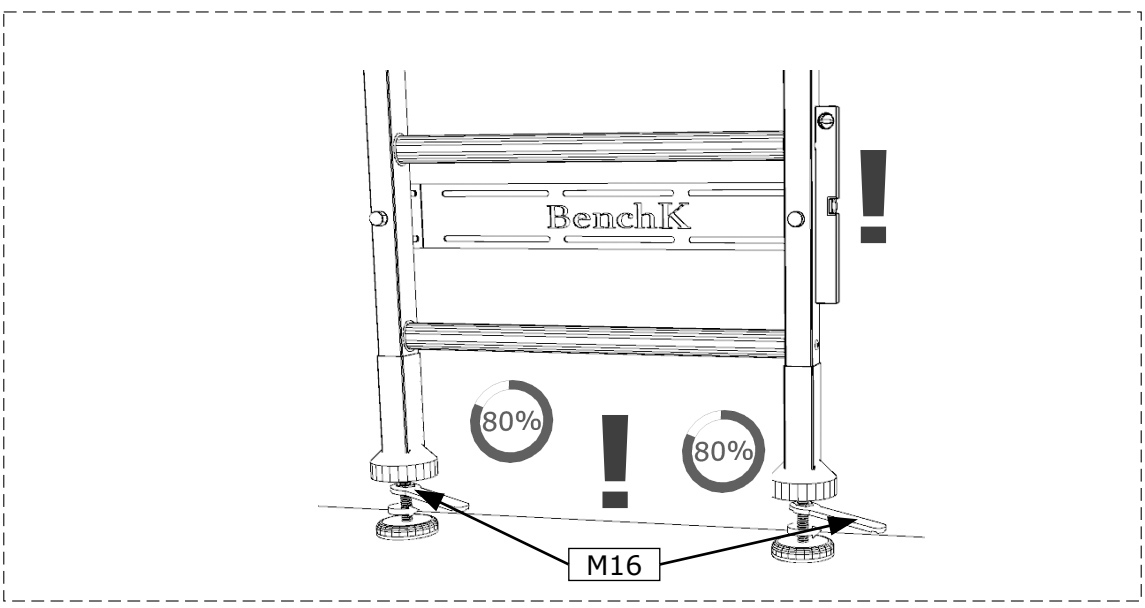
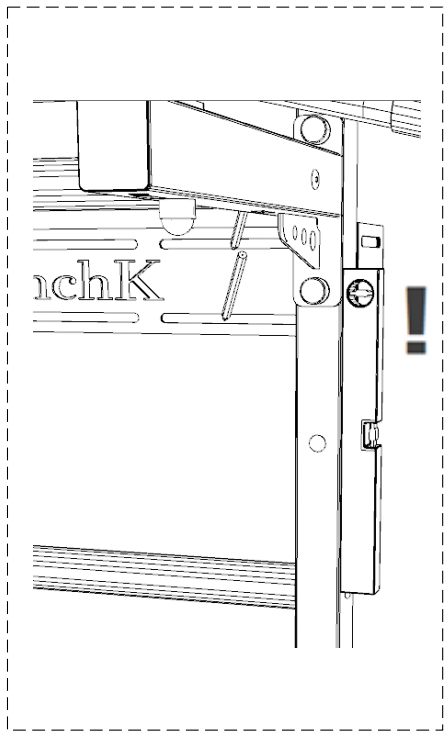
7 B



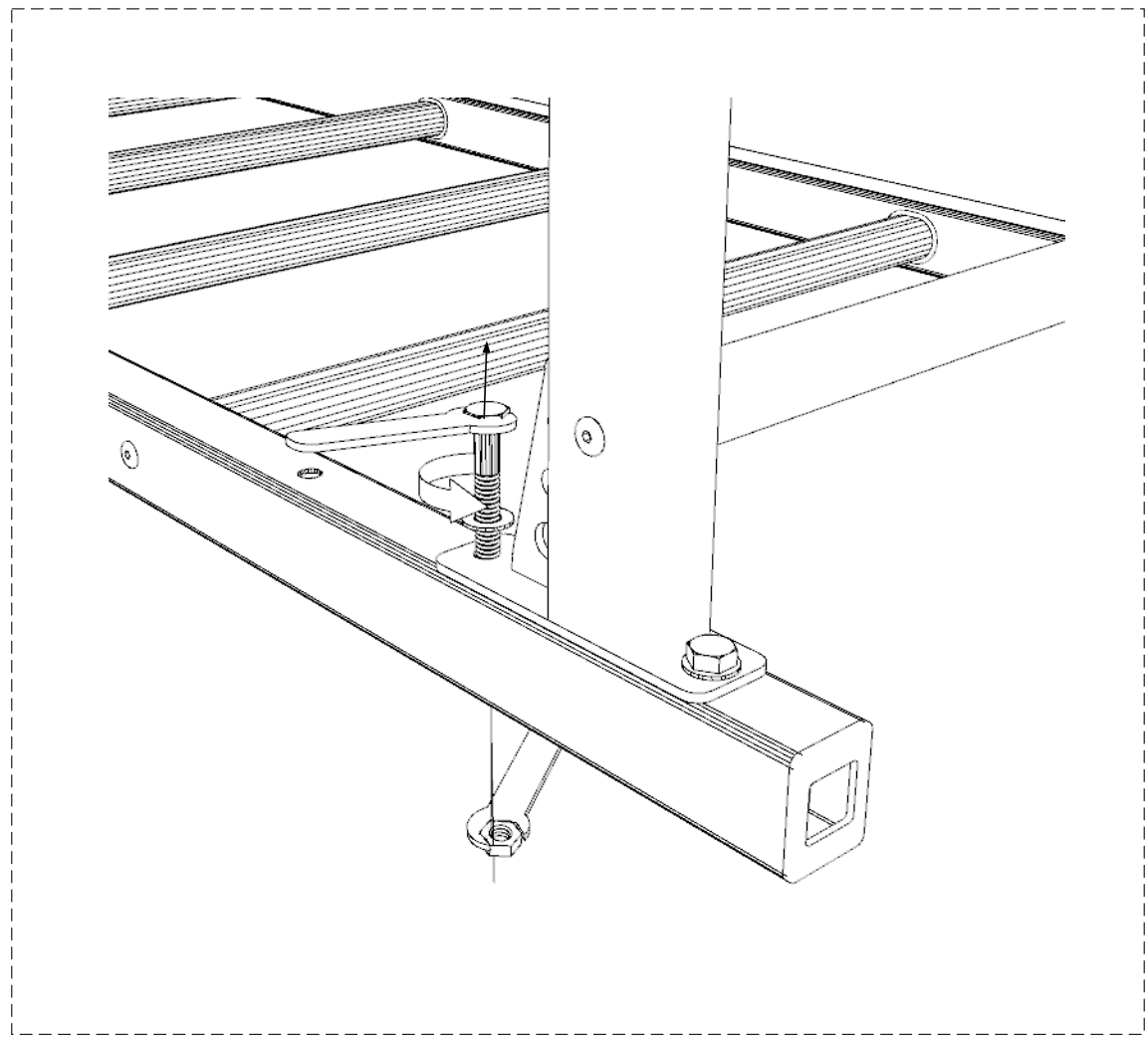
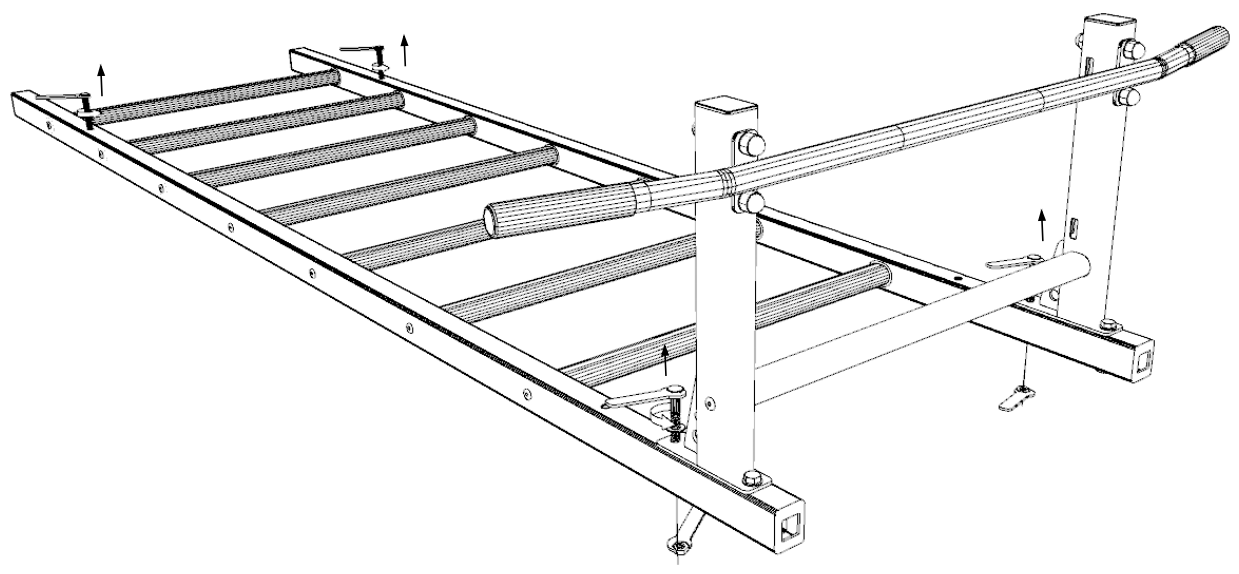
1 C



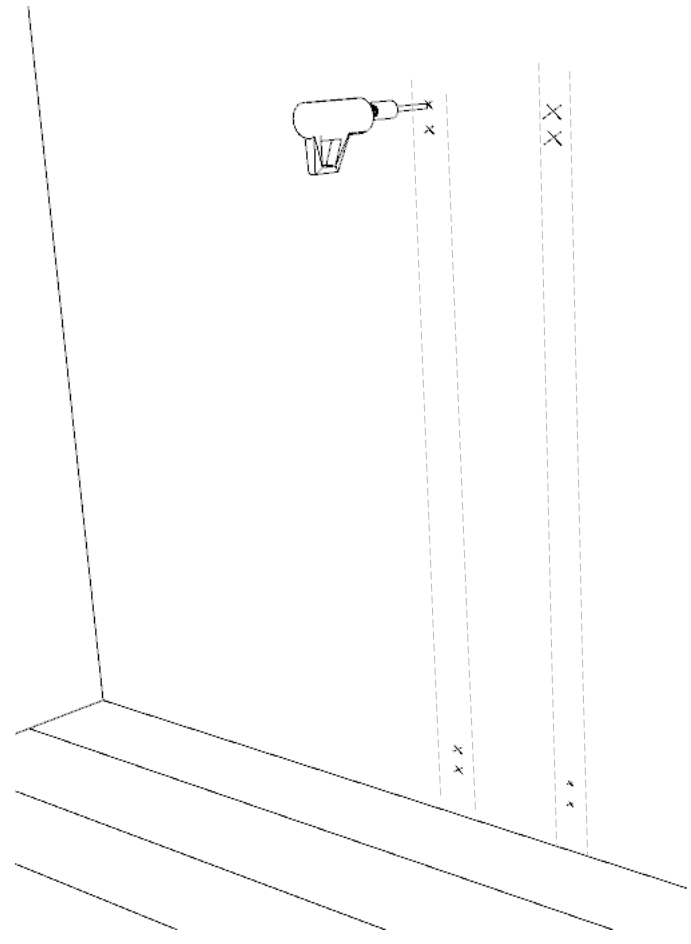
2 C



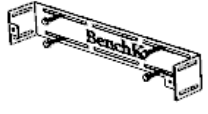
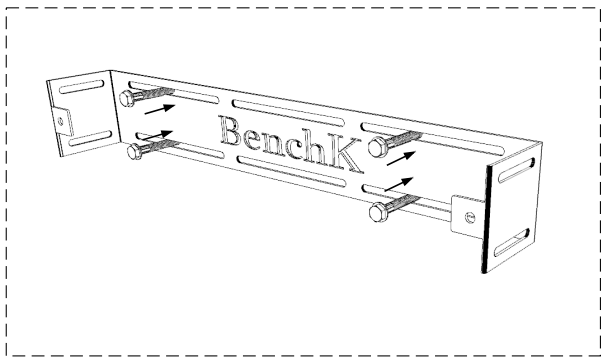
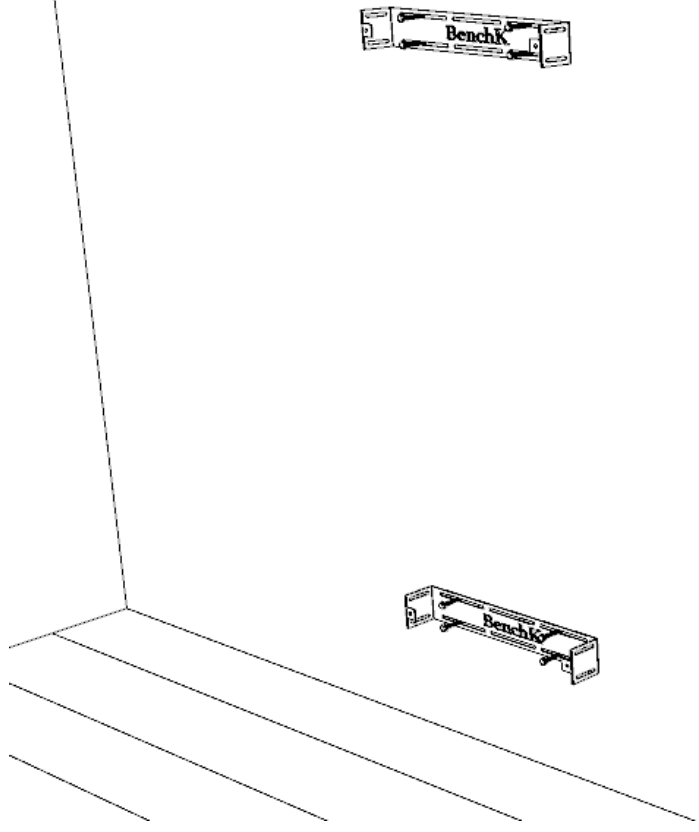
3 C



4 C

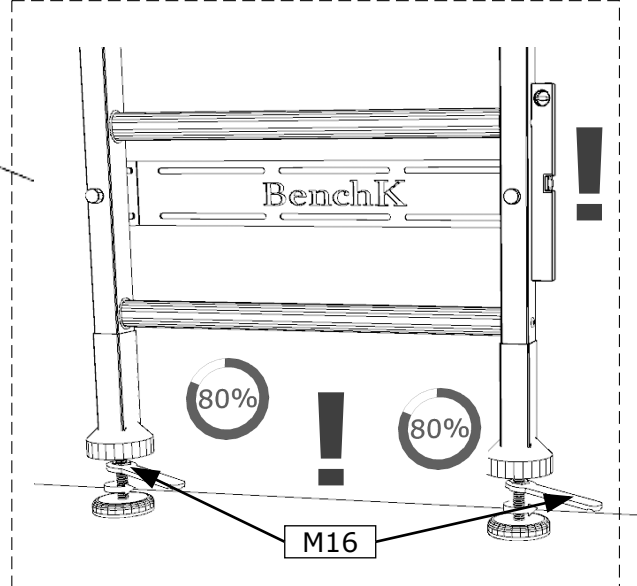
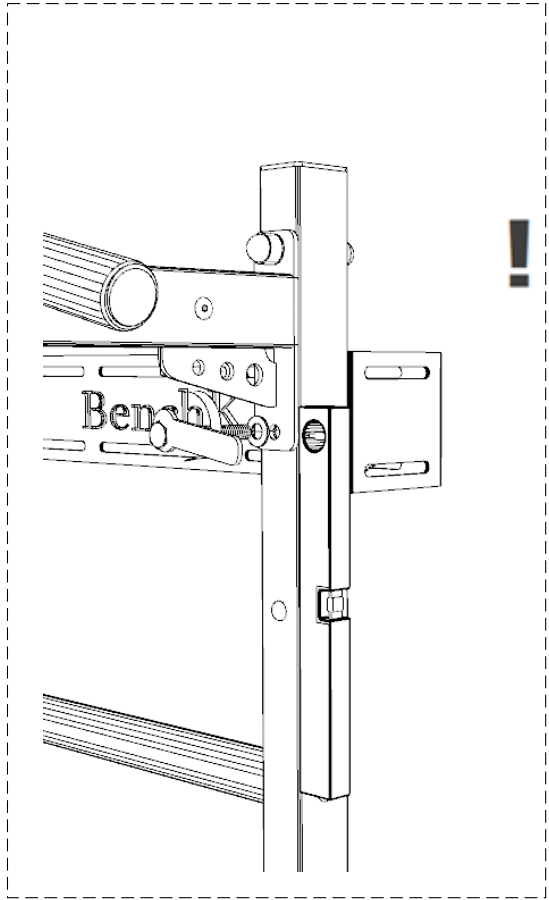
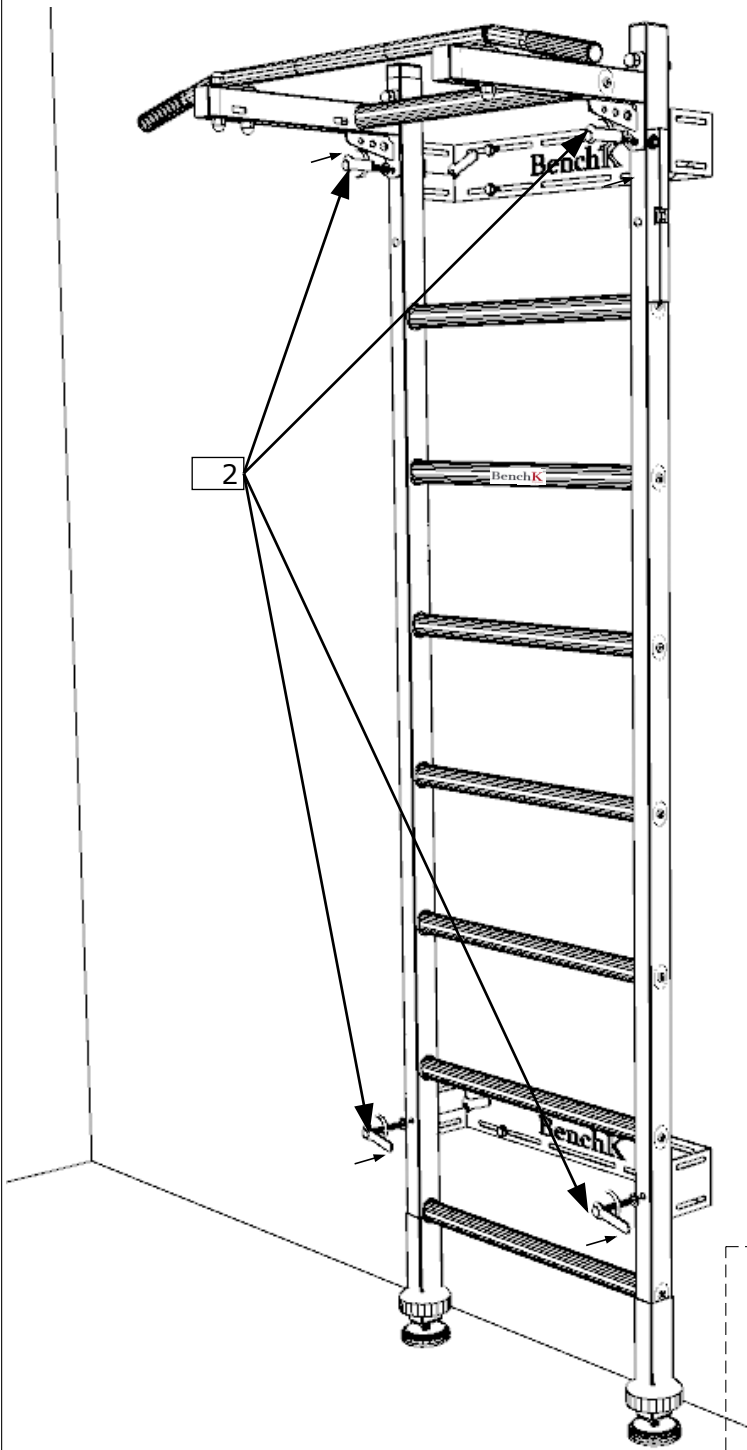


5 C

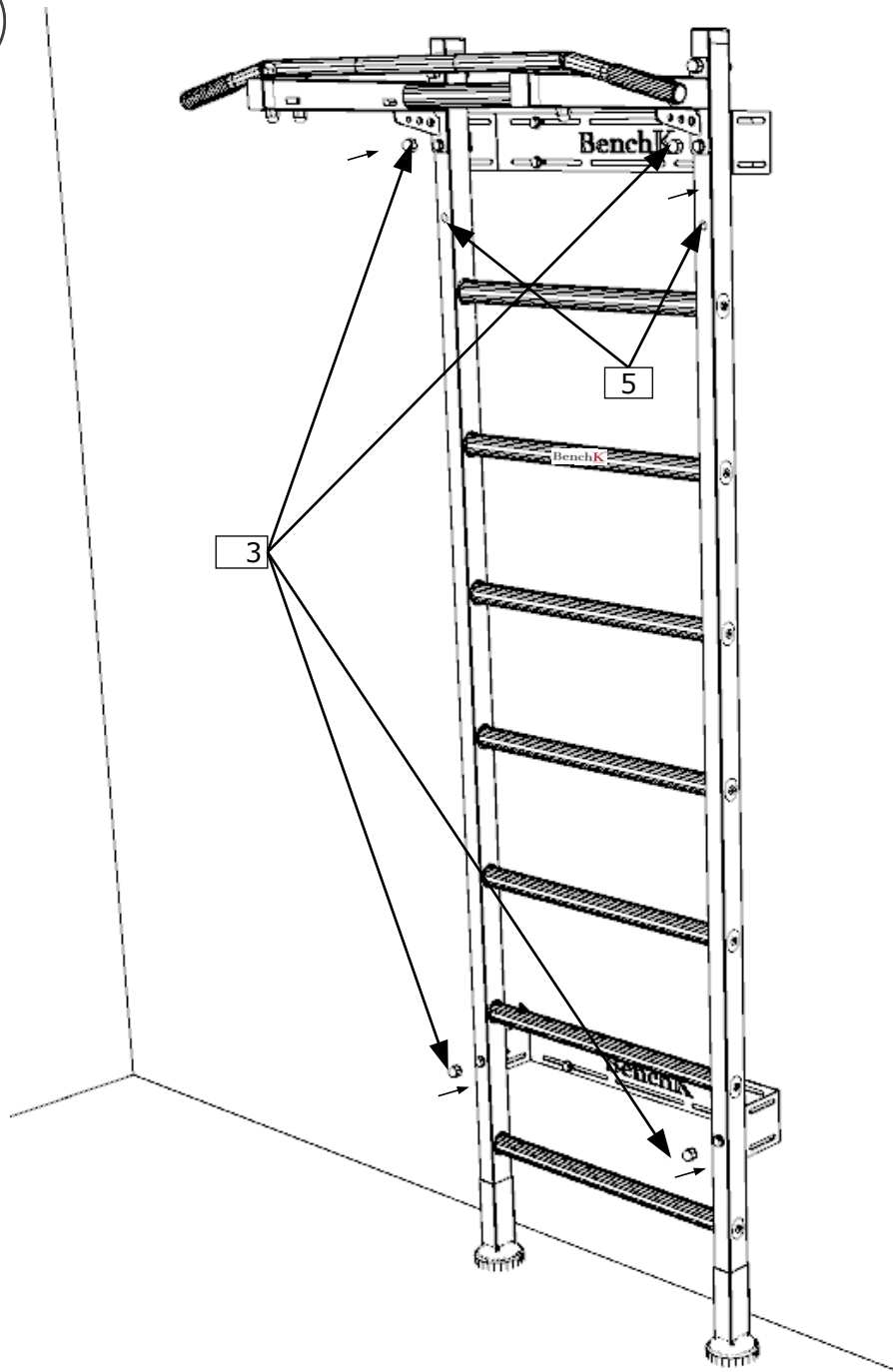




6 C




7 C



# BenchK<sup>®</sup>

lift yourself

Follow us on:  [benchkcom](https://www.facebook.com/benchkcom)  [benchk\\_sports\\_furniture](https://www.instagram.com/benchk_sports_furniture)

 Made in Poland

Producent - Benchmark Ltd

NIP: 8133702082, REGON: 360978103  
35-103 Rzeszów, Hanasiewicza 15  
POLAND

Distributor - BenchK LLC

1013 Ohio Ave, Palm Harbor  
Florida 34683  
EIN: 36-5017984  
USA

tel.: +1 833 998 7727

e-mail: [biuro@benchk.com](mailto:biuro@benchk.com)

**BenchK<sup>®</sup>**  
lift yourself

18 / 18 ::BenchK WHB/WHW:: [www.BenchK.us](http://www.BenchK.us)